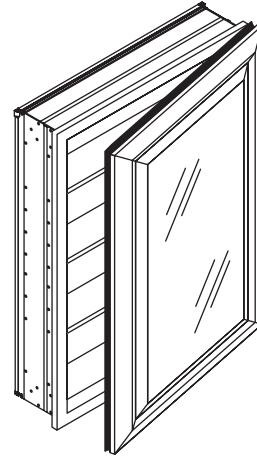


Features

- Recess or surface mount
- Mirrored doors and interior, matte silver interior
- 3-way adjustable concealed hinge system
- SAFESEAL™ gasket frame
- Patented swing-out magnifying mirror
- Rust-free aluminum construction
- Can be installed as a left- or right-hand door swing
- Three adjustable glass shelves
- 23-1/4" (59.1 cm) x 30" (76.2 cm) x 5-1/4" (13.3 cm)

MT24D4ECN ALSO MT24D4PCN, MT24D4OCN



Codes/Standards Applicable

Specified model meets or exceeds the following:

- None applicable

Specified Model

Model	Description	
MT24D4ECN	Black leather frame with inset chrome trim	<input type="checkbox"/>
MT24D4ENN	Black leather frame with inset brushed nickel trim	<input type="checkbox"/>
MT24D4PCN	Parchment leather frame with inset chrome trim	<input type="checkbox"/>
MT24D4PNN	Parchment leather frame with inset brushed nickel trim	<input type="checkbox"/>
MT24D4OCN	Oxblood leather frame with inset chrome trim	<input type="checkbox"/>
MT24D4ONN	Oxblood leather frame with inset brushed nickel trim	<input type="checkbox"/>
NOTE: Hardware required for installing cabinets side-by-side is included.		
Required Accessories - For Surface-Mount Installations Only		
MTSK30D4	Plain mirror side kit	<input type="checkbox"/>
Refer to the Price Guide for additional side kit colors and finishes		
Optional Accessories		
SLB24D4	Safety-lock box	<input type="checkbox"/>
Frames, light options, and additional accessories are also available. Refer to the Price Guide for more information.		

CITÉ™ FRAMED CABINET

Technical Information

Roughing-in opening	22-1/2" (57.2 cm) x 29-1/4" (74.3 cm) x 4" (10.2 cm)
Door opening angle	170°

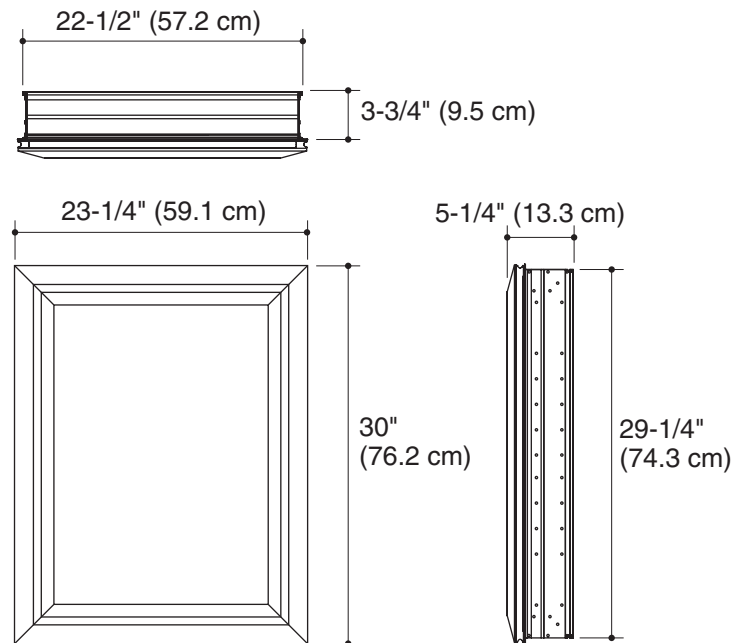
Installation Notes

Install this product according to the installation guide.

When determining the height of the mirrored cabinet, ensure the mirrored door will clear all obstacles, such as a faucet. A minimum distance of 1" (2.5 cm) is required.

Secure the screws (provided) to a stud to avoid possible property and product damage. If this is not possible, anchors (provided) must be inserted before installing the screws.

Recessed cabinets project less than 1-1/4" (3.2 cm) from wall.



Product Diagram