

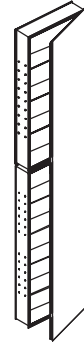
Features

- Recess or surface mount
- Colored glass or tinted mirror doors with mirrored, matte silver interior
- 3-way adjustable concealed hinge system
- SAFESEAL® gasket frame
- Patented swing-out magnifying mirror
- Rust-free aluminum construction
- Right hinge door
- Seven adjustable glass shelves
- 15-1/4" (38.7 cm) W x 69-3/8" (176.2 cm) H x 4-5/8" (11.7 cm) D

RIGHT HAND

MF16D4F11R

ALSO MF16D4F12R, MF16D4F13R,
MF16D4F14R, MF16D4F15R, MF16D4F16R,
MF16D4F17R, MF16D4F18R, MF16D4F19R



Codes/Standards Applicable

Specified model meets or exceeds the following:

- None applicable

Specified Model

Model	Description	
MF16D4F11R	Tinted Gray Mirror, right hand	<input type="checkbox"/>
MF16D4F12R	Satin Bronze, right hand	<input type="checkbox"/>
MF16D4F13R	Satin Gray, right hand	<input type="checkbox"/>
MF16D4F14R	Champagne Mesh, right hand	<input type="checkbox"/>
MF16D4F15R	Onyx Mesh, right hand	<input type="checkbox"/>
MF16D4F16R	Hammered Oil Rubbed Bronze, right hand	<input type="checkbox"/>
MF16D4F17R	Hammered Platinum, right hand	<input type="checkbox"/>
MF16D4F18R	Vintage Ivory, right hand	<input type="checkbox"/>
MF16D4F19R	Satin White, right hand	<input type="checkbox"/>

NOTE: Hardware required for installing cabinets side-by-side is included.

Required Accessories - For Surface Mount Installations Only

MFSK70D411	Tinted Gray Mirror side kit - surface mount	<input type="checkbox"/>
MFSK70D412	Satin Bronze side kit - surface mount	<input type="checkbox"/>
MFSK70D413	Satin Gray side kit - surface mount	<input type="checkbox"/>
MFSK70D414	Champagne Mesh side kit - surface mount	<input type="checkbox"/>
MFSK70D415	Onyx Mesh side kit - surface mount	<input type="checkbox"/>
MFSK70D416	Hammered Oil Rubbed Bronze side kit - surface mount	<input type="checkbox"/>
MFSK70D417	Hammered Platinum side kit - surface mount	<input type="checkbox"/>
MFSK70D418	Vintage Ivory side kit - surface mount	<input type="checkbox"/>
MFSK70D419	Satin White side kit - surface mount	<input type="checkbox"/>

M SERIES DECORATIVE CABINET

Required Accessories - For Ganging Multiple Cabinets Only

MHANDLEKIT	Chrome handle - required when ganging MF cabinets or	<input type="checkbox"/>
MPUSHKIT	Push-to-open mechanism - required when ganging MF cabinets	<input type="checkbox"/>
MSFMF	Stack filler - required when ganging surface-mounted MF with MT cabinets	<input type="checkbox"/>

NOTE: MF cabinets cannot be ganged with MP cabinets.

Optional Accessories

SLB16D4	Safety-lock box	<input type="checkbox"/>
---------	-----------------	--------------------------

Light options and additional accessories are available. Refer to the Price Guide for more information.

Technical Information

Roughing-in opening	14-1/2" (36.8 cm) W x 68-5/8" (174.3 cm) H x 4" (10.2 cm) D
Door opening angle	170°

Installation Notes

Install this product according to the installation guide.

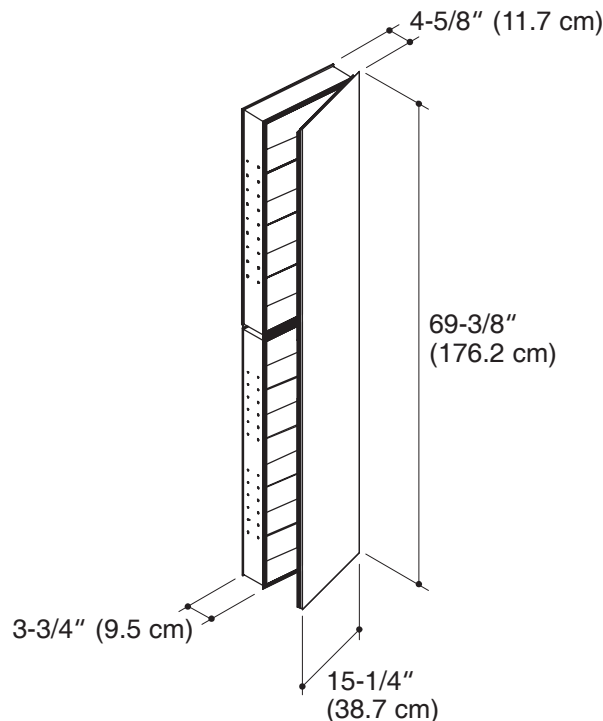
When determining the height of the mirrored cabinet, ensure the mirrored door will clear all obstacles, such as a faucet. A minimum distance of 1" (2.5 cm) is required.

Secure the screws (provided) to a stud to avoid possible property and product damage. If this is not possible, anchors (provided) must be inserted before installing the screws.

Modular components can be joined horizontally.

When ganging cabinets: rough opening width = total width of all cabinets and lights minus 3/4" (1.9 cm).

Recessed cabinets project 7/8" (2.2 cm) from wall.



Product Diagram