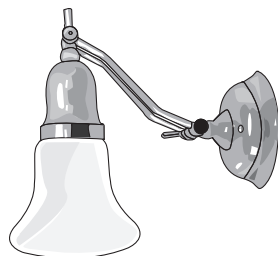




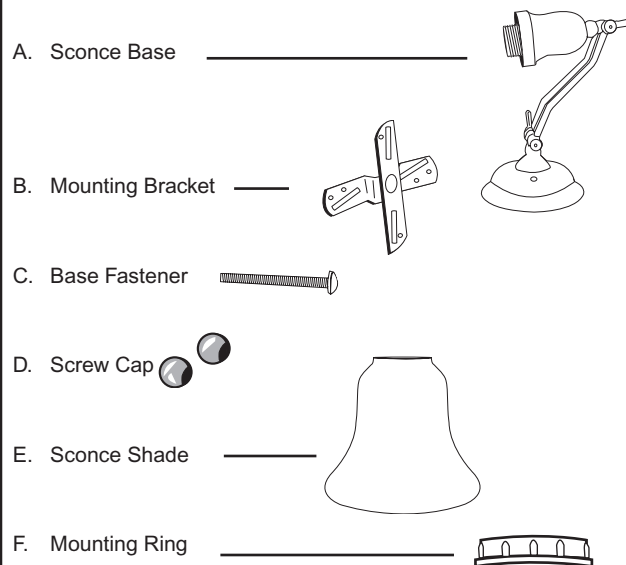
209-1011 MLLWFH FAIRHAVEN™ SCONCE INSTALLATION INSTRUCTIONS



General Notes

1. Unpack the light fixture. Check the box thoroughly for all hardware and loose parts as follows:
A. Sconce Base B. Mounting Bracket C. Screw
D. Screw Cap E. Sconce Shade F. Mounting Ring
2. Rated for 100W bulb Type-A UL listed for damp locations.
3. If you experience any problems with your Fairhaven Sconce contact your dealer or Robern directly.
Robern • 701 N Wilson Ave • Bristol, PA 19007
800 877 2376 • FAX 215 826 9633

Part List – MLLWFH SCONCE



Limited Warranty One Year Term

ROBERN warrants to the original purchaser that, it will, at its election repair, replace, or make appropriate adjustment to products made by this company shown to have significant defects in material or workmanship which are reported to ROBERN in writing within one (1) year from the date of delivery. ROBERN is not responsible for installation costs.

The warranty is void in the event the product is damaged in transit, or if damage or failure is caused by abuse, misuse, abnormal usage, faulty installation, damage in an accident, improper maintenance, or any repairs other than those authorized by ROBERN. At the expiration of the one year warranty period, ROBERN shall be under no further obligation under any warranty, expressed or implied, including the implied warranty of merchantability.

ROBERN shall not be liable for any consequential damages arising out of or in connection with the use or performance of its products. Some states do not allow limitations on how long an implied warranty lasts or do not allow the exclusion or limitation of incidental or consequential damages, so the above limitation or exclusion may not apply to you.

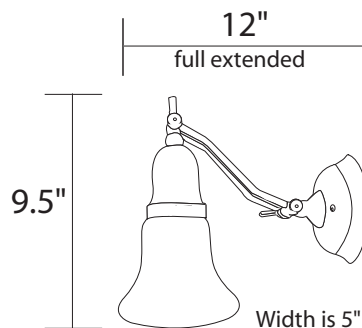
Any liability against ROBERN under any implied warranty, including the warranty of merchantability, is expressly limited to the terms of this warranty. Permission to return any merchandise under this warranty must be authorized by ROBERN and returned prepaid by the purchaser. Claims under this warranty should be sent directly to your dealer.

©2002 Robern
All rights reserved.

1. Dimensions of Sconce

1. Overall size of the sconce is shown below, however, sconces can be adjusted in height.

Model No.	Overall
MLLWFH	5"W X 9.5"H



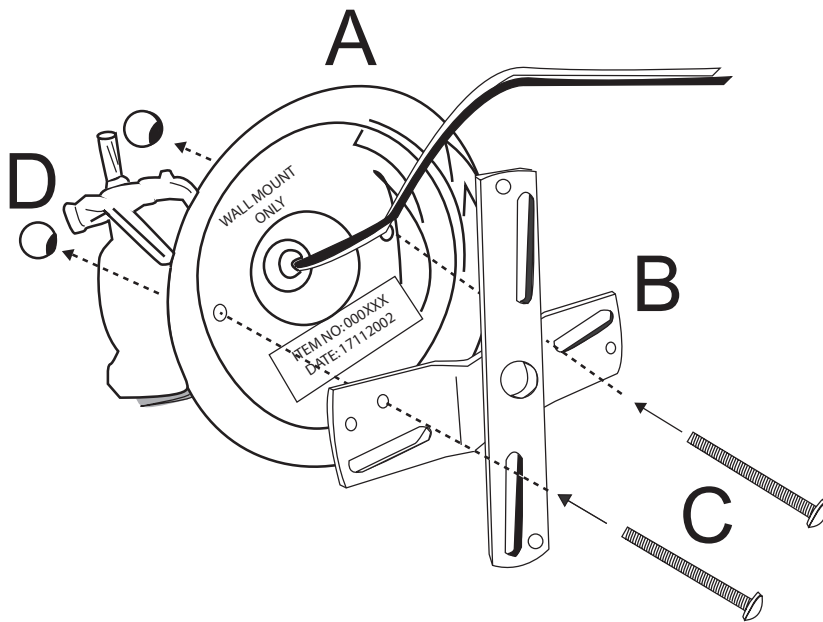
2. Selecting Location

- A. Clearance from the cabinet must be determined.
- B. When opening door of the cabinet, make sure it will not hit the sconce.

3. Installation

1. Attach crossbar (B) to the electrical box using the screws supplied with the box. Sometimes it is necessary to mount the crossbar at a slight upward angle (use a washer or two under the lower screw) so that the weight of the fixture doesn't make it appear to "droop." Make sure holes on crossbar (B) line up with holes on Sconce Base. (A)
2. Slip the wires into the electric box and make connections per Electrical codes.
3. Screw provided base fasteners (C) into crossbar (B) leaving enough room to allow screw to pass through the fixture base and protrude by 1/8" and 3/16" to allow screw cap (D) to fit on end of base fastener. (C)

Fig. A



Note: If your house has metal electrical boxes, connect the fixture ground wire to the green ground screw on the crossbar. If your house is new or has been rewired and has plastic boxes, connect the fixture ground wire to the house ground wire.

4. Shade Installment

1. For proper shade installment, follow Figure B illustration.
2. Make sure to attach shade before installing bulb.

5. Adjustment

1. Sconce can be adjusted to desired position. Use arms provided as shown in figure B.

Fig. B

