

**General notes concerning the MWB frame**

1. The cabinet combination does not need to be recessed unless you are using a D8 cabinet.

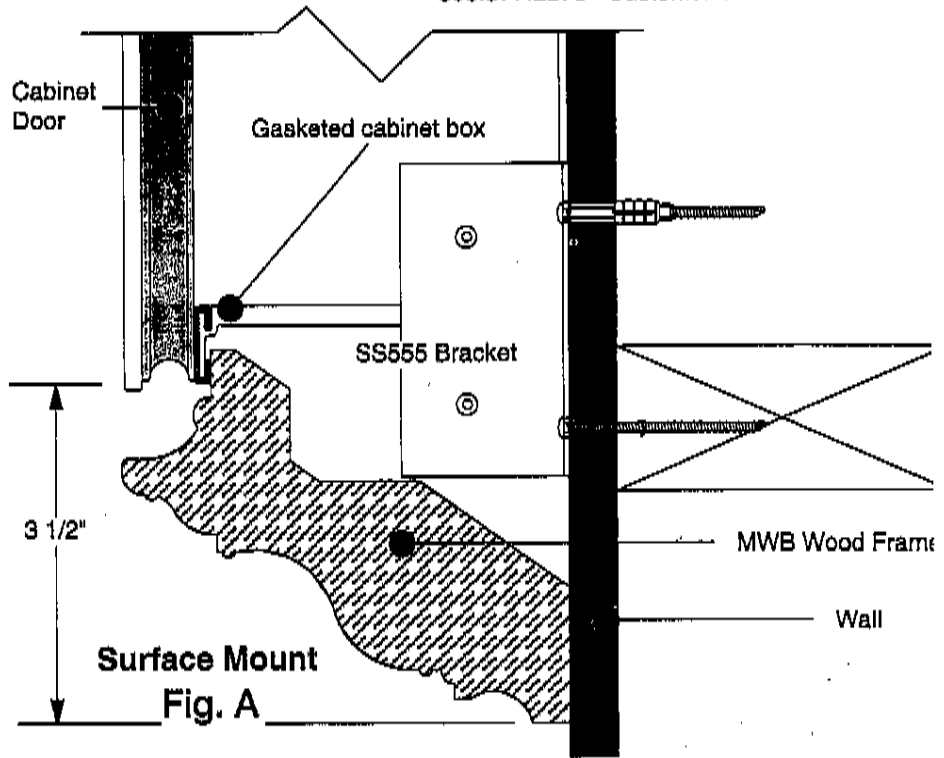
When recessing the opening is the standard Series M detail - overall width - 3/4" and overall height - 3/4".

2. The wood frame comes ready to install on the wall over the rough opening or around the cabinet. Simple assembly of the using corner keys is all that is required.

3. The cabinet combination fits into the frame and into the wall when recessed to the wall (Fig. B) or when surface mounted using special installation brackets supplied. (Fig. A)

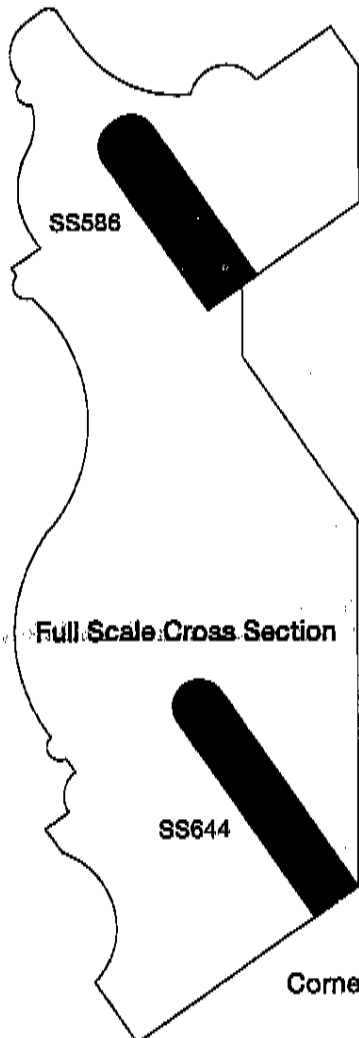
4. The MWB Wood Frame profile provides finger access for opening the doors.

5. The frame adds 7" to the overall height and width of the cabinet combination. (3 1/2" wide profile)

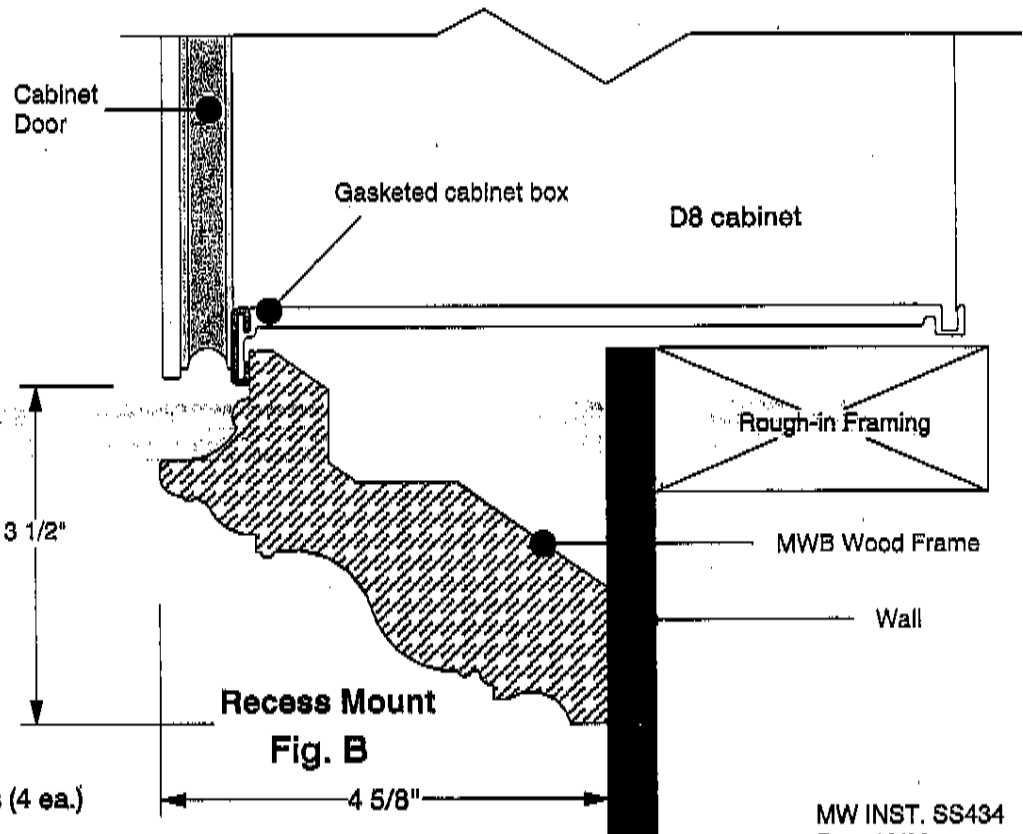


**Important Note:**

When using the MWB frame for Surface Mounting the frame can only accommodate a single cabinet with or without a light system. Therefore the maximum width available will fit a MP/MT24 with a M-L3.5 light kit. This is a total of 23 1/4" + 7" for a total of 30 1/4". The overall width will be 37 1/4"



Corner keys (4 ea.)



**Robern MWB Frame Surround  
for Series M & PL Cabinets  
Page 2**

**Surface Mount Only  
Assembly of the wood frame and installing the cabinet**

**Checking the dimension and size of your ordered frame**

MWB Wood Frame surround is custom built to your exact cabinet combination. Frame color, height and width must be specified.

**1. Determine the frame color:**

- MWBG - Antique Gold Leaf finish
- MWBN - Nickel Bronze Leaf finish
- MWBM - Red Mahogany finish
- MWBW - Antique White finish
- MWBU - Unfinished Marposa or other Brazilian Hardwood

**2. Determine the the cabinet series height:**

- MT = 30
- PL/MT + PLL Light = 33
- MP = 40 ( the actual height of an MP Cabinet is 39 3/8")
- CU = Check overall height as listed on packing list

**3. Determine the overall width:**

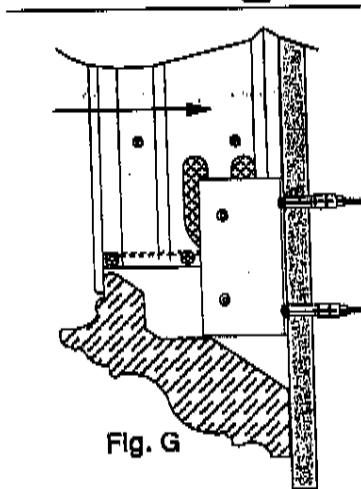
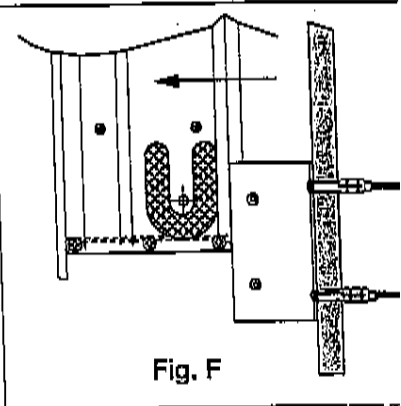
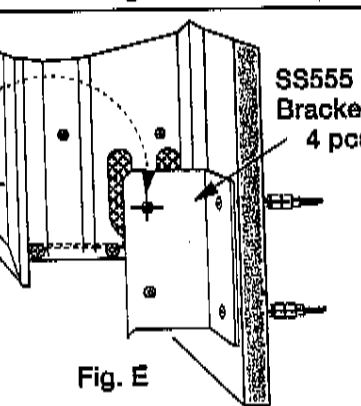
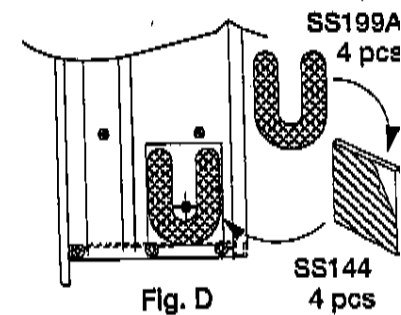
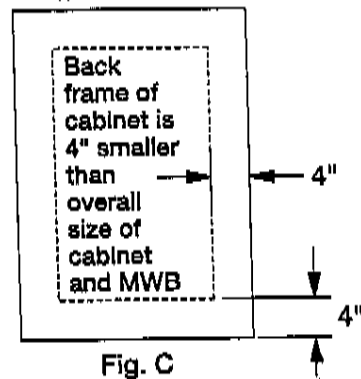
Example: MP20 with MPHL30 Lights =  $19 \frac{1}{4}" + 7" = 26 \frac{1}{4}"$   
26 1/4 is 26.25

The model number for a gold frame for the above example is as follows:

FRAME COLOR	HEIGHT	WIDTH
MWBG	40	26.25
Outer dim. of assembled wood frame		
	46 3/8"	33 1/4"

SS753  
1" x #8 screw  
4 pcs  
Attach to  
bracket from  
inside  
cabinet

1. Follow instructions 1 & 2 from recess info to assemble frame.
2. Determine the placement of the cabinet as shown below (Fig. C).
3. The cabinet and frame are installed to the wall in this order:
  - A. Horseshoe shaped spacers SS199A are attached to the cabinet with the supplied foam tape SS144 around the hole in the cabinet indicated in Fig D.
  - B. The SS555 brackets are attached to the cabinet with the #8 sheet metal screws. The brackets will extend above and below the cabinet. (Fig E)
  - C. The cabinet is attached to the wall through the holes in the SS555 brackets using the SS674 screws and SS680 anchors.
4. Remove the cabinet from the brackets using the # 8 screws, leaving the brackets on the wall (Fig. F). Place the assembled frame over the brackets. (Fig. G)
5. Slide the cabinet in the frame and reinstall the #8 sms screws into the brackets. Cover the screws with the supplied caps. (Fig. G)



SS680  
PLASTIC ANCHOR

SS674  
#10 X 2" SCREWS  
4 PCS

1. DRILL 9/32" HOLE AND INSERT ANCHOR UNTIL FLANGE IS FLUSH.
2. INSERT #10 X 2" SMS/WOOD SCREW THRU BRACKET AND ANCHOR. CONTINUE TO TURN THE SCREW TO FULLY EXPAND THE ANCHOR ACCORDING TO THE CHART BELOW.

TOTAL WALL THICKNESS	TURNS AFTER SCREW HEAD IS AGAINST BRACKET
1/2"	8-9 TURNS
5/8"	6-7 TURNS
3/4"	4-5 TURNS

**Recessed Only - (D8 cabinets)  
Assembly of the wood frame and installing the cabinet**

1. Lay the frame face down on a carpeted or other soft, non-marring surface.
2. Using a rubber mallet, insert the long and short butterfly keys into the frame dovetails.
3. The frame interior dimension will match the rough-in wall opening. Check before applying to wall.
4. Peel the release liner from the frame. This tape is meant to hold the frame in position only until the cabinet is in place.
5. Slide the cabinet assembly into the frame until the gasket is against the frame as shown on left.
6. Fasten the cabinet into the rough opening as shown in the cabinet instructions.

# Robern MWL Frame Surround for Series M & PL Cabinets

Robern  
701 N. Wilson Ave.  
Bristol, PA 19007  
800.877.2376 Customer Service 8-5 E.S.T.

## General notes concerning the MWL frame

1. The cabinet combination must be recessed. The recessed opening is the standard Series M detail—overall width - 3/4" and overall height - 3/4".
2. The wood frame comes ready to install on the wall over the rough opening. Simple assembly of the using corner keys is all that is required.
3. The cabinet combination fits into the frame and into the wall.
4. The MWL Wood Frame profile provides finger access for opening the doors.
5. The frame adds 9" to the overall height and width of the cabinet combination. (4 1/2" wide profile)

## Checking the dimension and size of your ordered frame

MWL Wood Frame surround is custom built to your exact cabinet combination. Frame color, height and width must be specified.

1. Determine the frame color:

**MWLG** - Antique Gold Foil finish  
**MWLN** - Nickel Bronze Foil finish

2. Determine the the cabinet series height:

**MT = 30**  
**PL/MT + PLL Light = 33**  
**MP = 40** ( the actual height of an MP Cabinet is 39 3/8")  
**CU = Check overall height as listed on packing list**

3. Determine the overall width:

Example: MP20 with MPHL30 Lights =  $19 \frac{1}{4}" + 9" = 28 \frac{1}{4}"$   
28 1/4 is **28.25**

The model number for a gold frame for the above example is as follows:

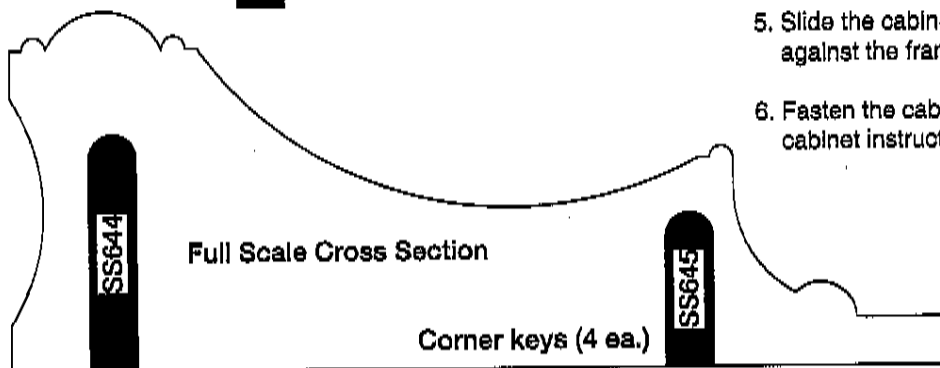
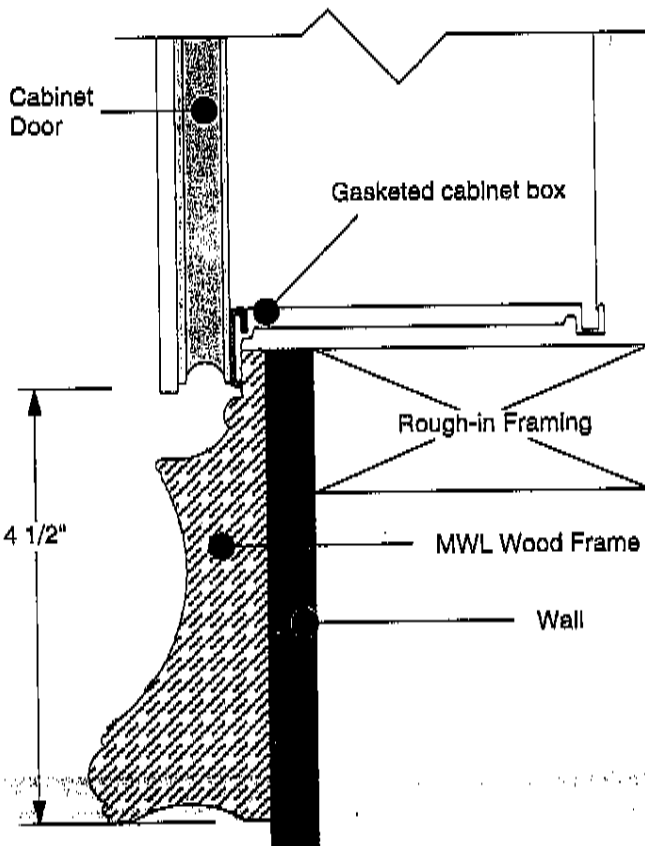
FRAME COLOR	HEIGHT	WIDTH
MWLG	40	26.25

Outer dimension of assembled wood frame

48 3/8"      35 1/4"

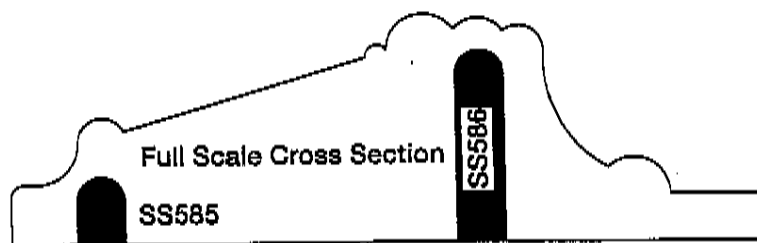
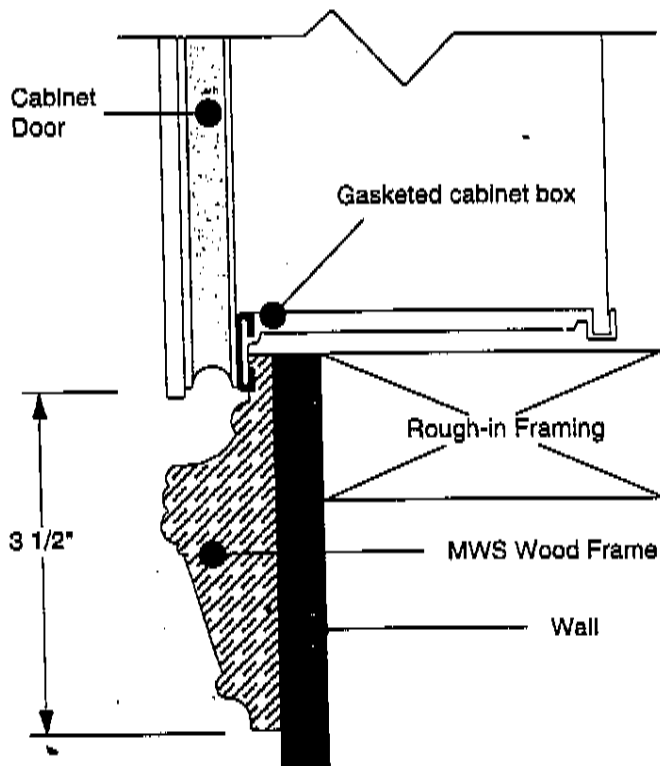
## Assembly of the wood frame

1. Lay the frame face down on a carpeted or other soft, non-marring surface.
2. Using a rubber mallet, insert the long and short butterfly keys into the frame dovetails.
3. The frame interior dimension will match the rough-in wall opening. Check before applying to wall.
4. ~~Peel the release liner from the frame. This tape is meant to hold the frame in position only until the cabinet is in place.~~
5. Slide the cabinet assembly into the frame until the gasket is against the frame as shown on left.
6. Fasten the cabinet into the rough opening as shown in the cabinet instructions.



**General notes concerning the MWS frame**

1. The cabinet combination must be recessed. The recessed opening is the standard Series M detail- overall width - 3/4" and overall height - 3/4".
2. The wood frame comes ready to install on the wall over the rough opening. Simple assembly of the using corner keys is all that is required.
3. The cabinet combination fits into the frame and into the wall.
4. The MWS Wood Frame profile provides finger access for opening the doors.
5. The frame adds 7" to the overall height and width of the cabinet combination. (3 1/2" wide profile)



Corner keys (4 ea.)

**Checking the dimension and size of your ordered frame**

MWS Wood Frame surround is custom built to your exact cabinet combination. Frame color, height and width must be specified.

1. Determine the frame color:

**MWSG** - Antique Gold Foil finish  
**MWSS** - Antique Silver Foil finish  
**MWSM** - Red Mahogany finish  
**MWSW** - Antique White finish  
**MWSU** - Unfinished Marposa or other Brazilian Hardwood

2. Determine the the cabinet series height:

**MT = 30**  
**PL/MT + PLL Light = 33**  
**MP = 40** ( the actual height of an MP Cabinet is 39 3/8")  
**CU = Check overall height as listed on packing list**

3. Determine the overall width:

Example: MP20 with MPHL30 Lights =  $19 \frac{1}{4}'' + 7'' = 26 \frac{1}{4}''$   
 26 1/4 is **26.25**

The model number for a gold frame for the above example is as follows:

FRAME COLOR	HEIGHT	WIDTH
MWSG	40	26.25

Outer dimension of assembled wood frame

46 3/8"      33 1/4"

**Assembly of the wood frame**

1. Lay the frame face down on a carpeted or other soft, non-marring surface.
2. Using a rubber mallet, insert the long and short butterfly keys into the frame dovetails.
3. The frame interior dimension will match the rough-in wall opening. Check before applying to wall.
4. Peel the release liner from the frame. This tape is meant to hold the frame in position only until the cabinet is in place.
5. Slide the cabinet assembly into the frame until the gasket is against the frame as shown on left.
6. Fasten the cabinet into the rough opening as shown in the cabinet instructions.