

# ROBERN CORNER CABINET INSTALLATION AND USE

## Index

General Notes	page - 1	Optional Light Installation	page - 4
Model Number Designations	page - 1	Mirror Side Kit	page - 5
Dimensions	page - 2	Stack Filler	page - 6
Cabinet Bracket Placement	page - 3	Care and Maintenance	page - 7
Wall Bracket Placement	page - 4	Bottom Board Placement	page - 7
Anchor Guide	page - 4	Parts and Warranty	page - 8

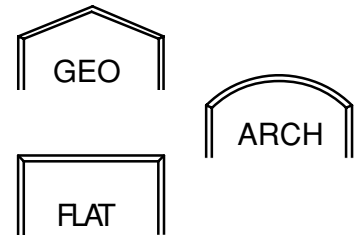
## General Notes

- Unpack the cabinet. Check the box thoroughly for all hardware and loose parts packed as follows:
  - Cabinet
  - Hardware bag
  - Shelving
  - Side Mirrors
  - Bottom Board
  - Swing out magnifying mirror (MP & MT Models Only).
- Remove the doors from the cabinet and store the door in the cabinet box. Be sure edges of doors are protected. Removing the doors will allow for easy and fast installation of the cabinet system.
- A square and plumb installation insures proper door operation. A square and level, are necessary for proper installation. Improper installation voids the warranty. Installed cabinets cannot be returned.
- If you experience any problems with your cabinet contact your dealer or Robern directly.

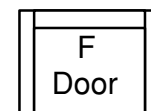
Robern • P.O. Box 2145 • Bristol, PA 19007  
215.826.9800 • 800.877.2376 • Fax 215.826.9633

## Model Number Designations Series M & F C8 Corner Cabinet.

PRODUCT TYPE	MIRROR SHAPE	MIRROR EDGE	DOOR SWING DIRECTION
Cabinet	8" Deep		
MP20	C8	A • Arch	N • Reversible
MT20	C8	F • Flat	L • Left
		G • Geo	R • Right

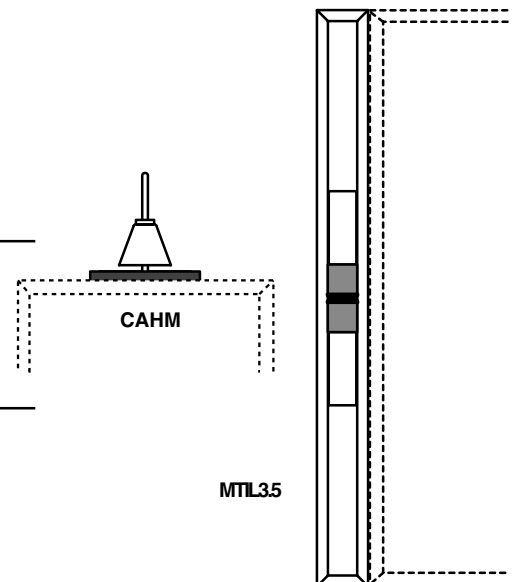


PRODUCT TYPE	DOOR FRAME COLOR	GLASS TYPE	Door Swing Direction
Cabinet	8" Deep		
FP20	C8	C • Cobalt Blue	N • Reversible
FT20	C8	E • Ebony Black	
		R • Red	
		S • Silver	
		T • Turquoise	
		V • Verdi Green	
		Y • Gold	
		S • Sandblast	
		I • Industrex	
		C • Clear	
		M • Mirror	



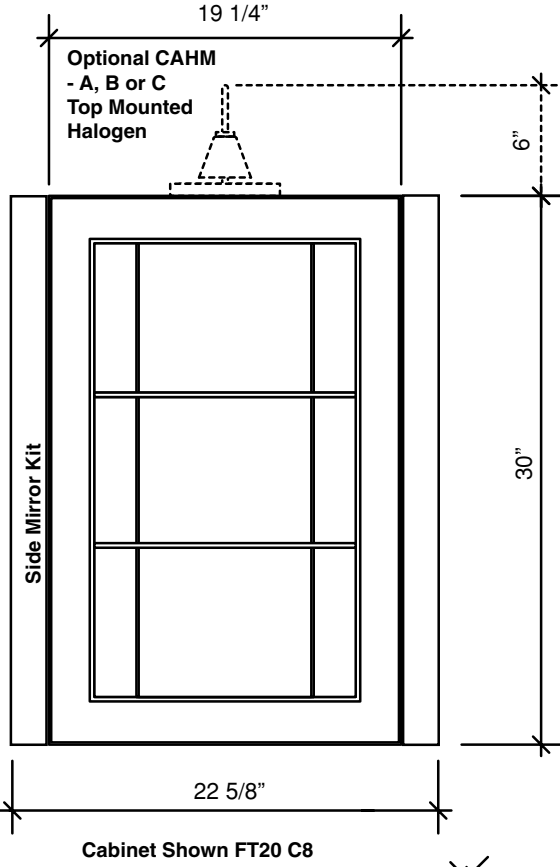
## Optional Lights (Available separately).

LIGHT TYPE	OPTIONS
Top Mount Halogen CAHM	A • Chrome and Glass Shade B • All Chrome Shade C • Colored Aluminium
Side Mount Mirrored Sconce, Incandescent or Halogen	
MPIL3.5 or MPHL3.5	For MP/FP
MTIL3.5 or MTHL3.5	For MT/FT

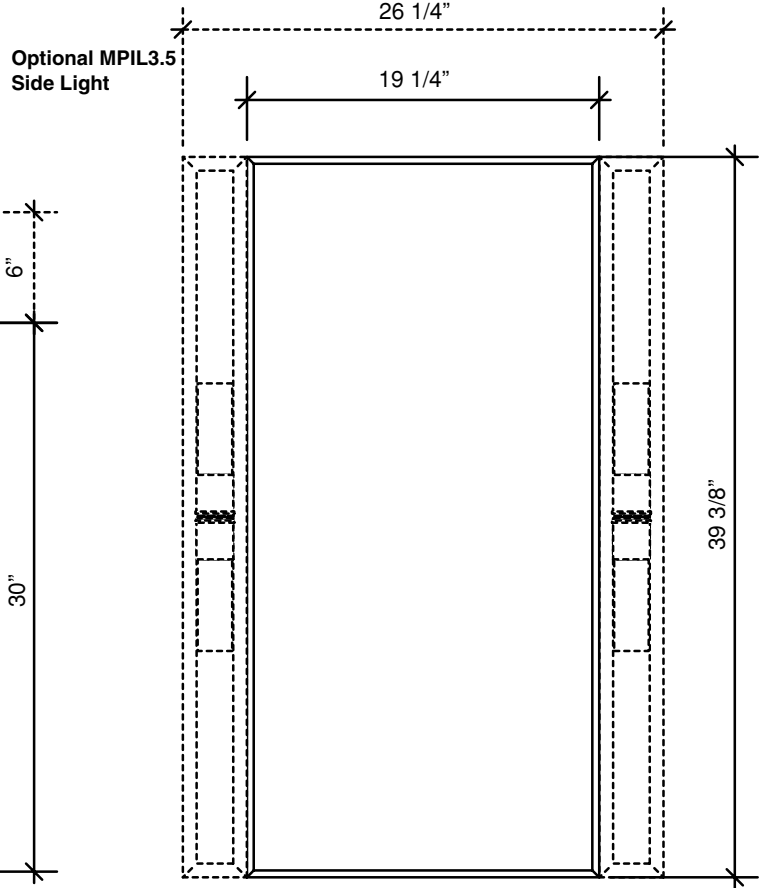


**Dimensions**

**Front View**

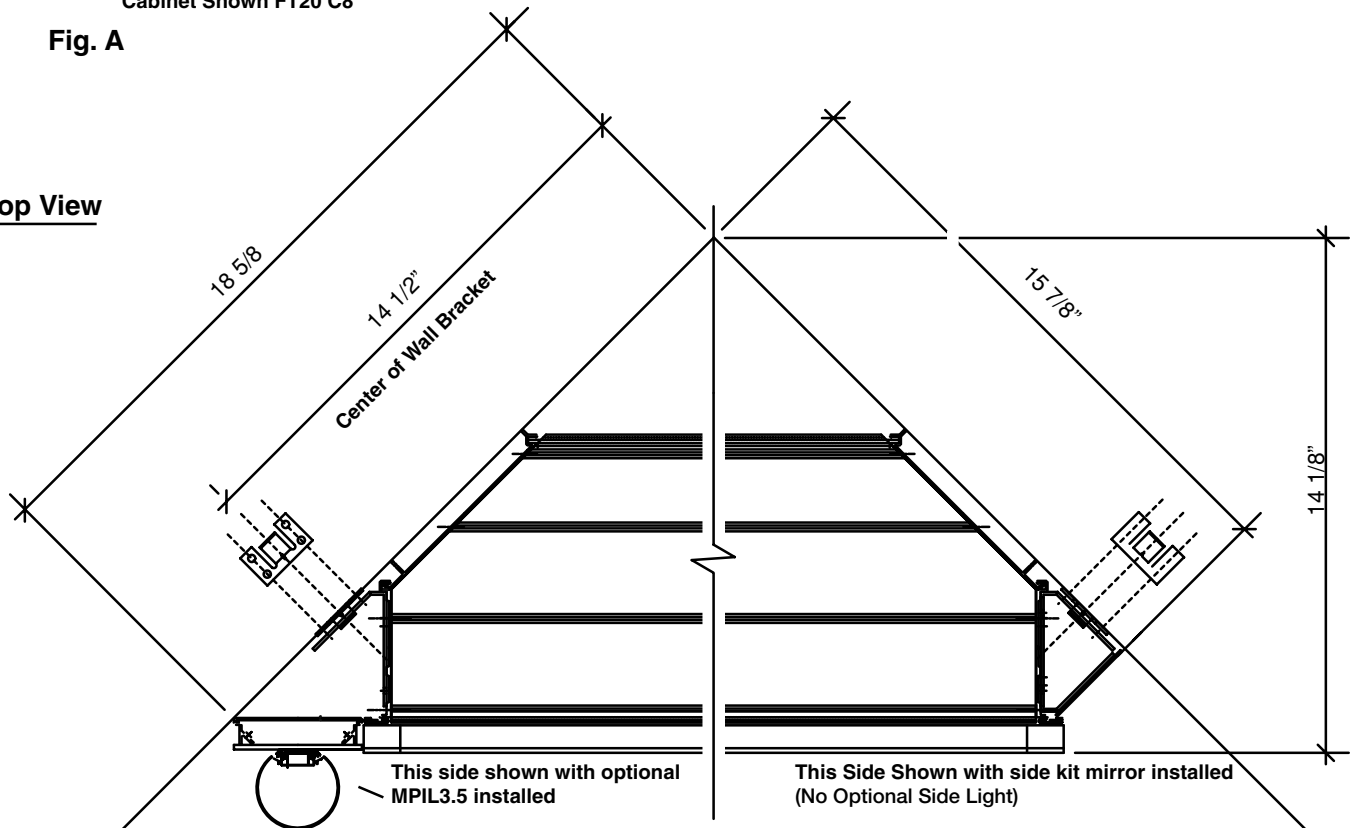


**Fig. A**



**Fig. B**

**Top View**



**Fig. C**

## Cabinet Bracket Placement

### Brackets for Mounting

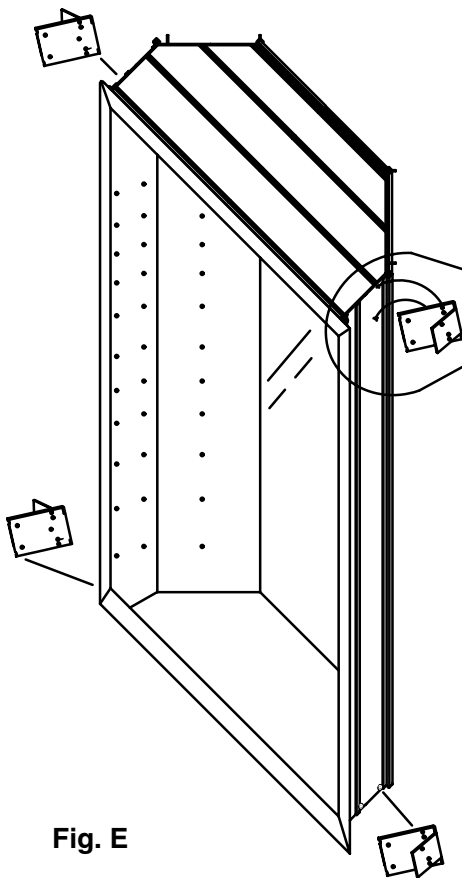


Fig. E

These two holes in the bracket, will line up with predrilled holes in the Cabinet.

Attach from inside Cabinet using one of the provided #10 x 3/8" self threading machine screws.

8 Cabinet Brackets are supplied. Install Four as shown. These four will be the load bearing brackets that support the Cabinet. The #10 x 3/8" self threading machine screws used for fixing the brackets are provided in the hardware bag.

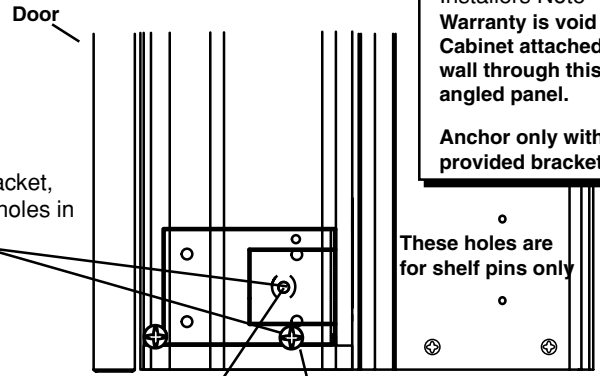


Fig. D

This bracket hole will line up with an already installed screw. Remove screw and place bracket in position then replace screw.

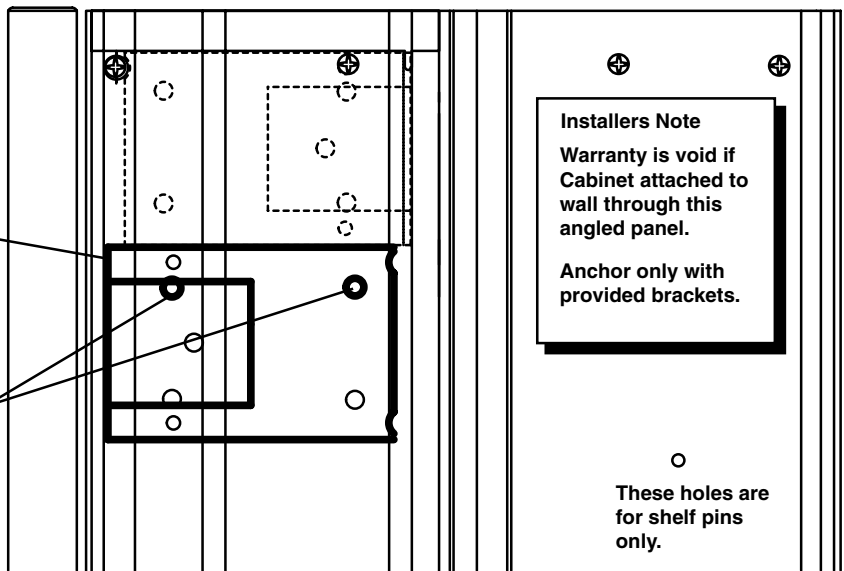
**Installers Note**  
**Warranty is void if Cabinet attached to wall through this angled panel.**  
**Anchor only with provided brackets.**

These holes are for shelf pins only

### Brackets for Side Kit Mirrors

For Installation of side Kit Mirrors, fix the remaining four Cabinet brackets as shown. See page 5 for mirror placement instructions.

This bracket is only for side mirror kit, and is attached from inside the Cabinet at these two points. Using two #10 x 3/8" self threading machine screws.



**Installers Note**  
**Warranty is void if Cabinet attached to wall through this angled panel.**  
**Anchor only with provided brackets.**

These holes are for shelf pins only.

Fig. F

## Wall Bracket Installation

### Bottom Wall Bracket

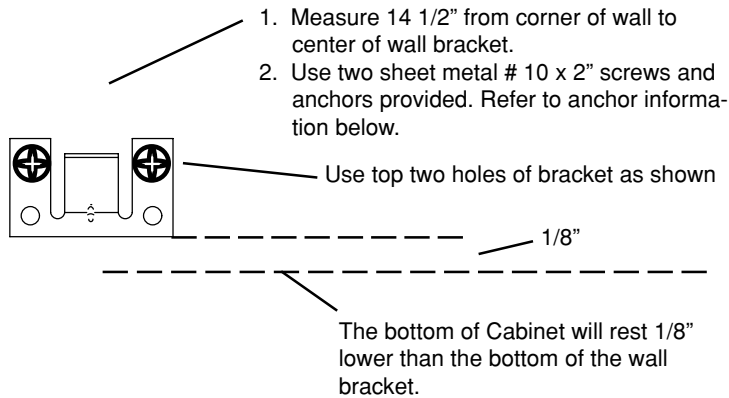
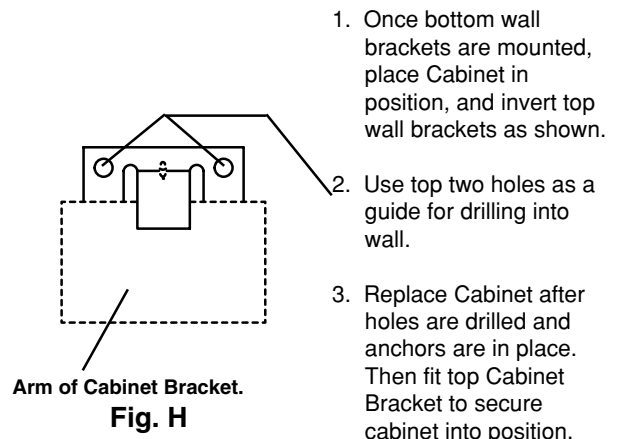


Fig. G

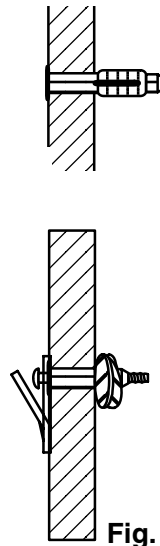
### Top Wall Bracket



## Anchor Instructions for Hollow Walls

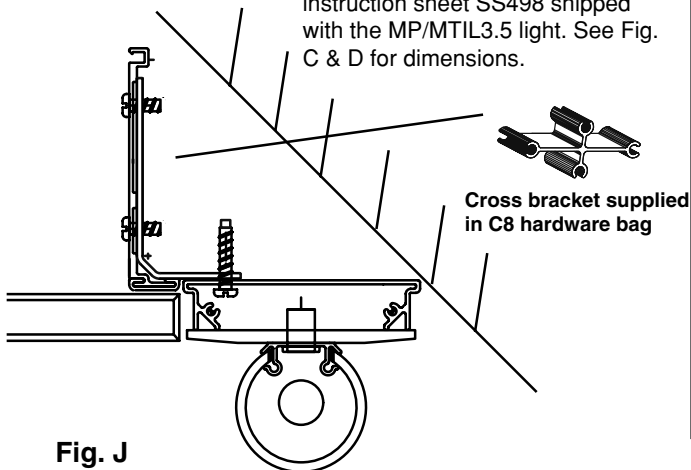
1. Drill 9/32" hole and insert anchor until flange is flush.
2. Insert #10 x 2" SMS/Wood screw through bracket and anchor. Continue to turn the screw to fully expand the anchor according to the chart below.

Total wall thickness	No. Of turns after screw head is against bracket
1/2"	8-9 turns
5/8"	6-7 turns
3/4"	4-5 turns

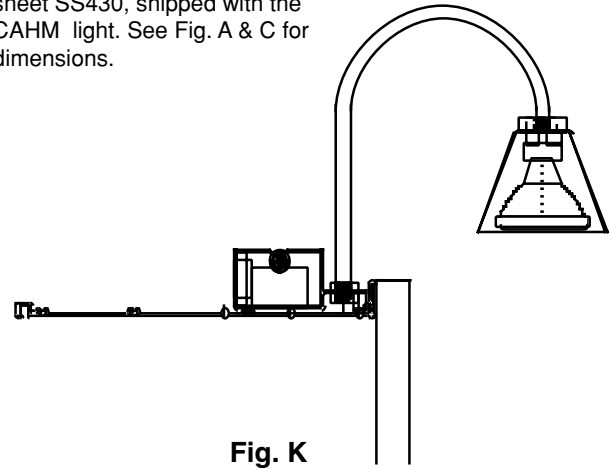


## Optional Light Installation

MP/MTIL3.5  
Attach "L" bracket to Cabinet first then attach light fixture. Refer to instruction sheet SS498 shipped with the MP/MTIL3.5 light. See Fig. C & D for dimensions.



CAHM  
Attach fixture to the top of the Cabinet as shown in Instruction sheet SS430, shipped with the CAHM light. See Fig. A & C for dimensions.

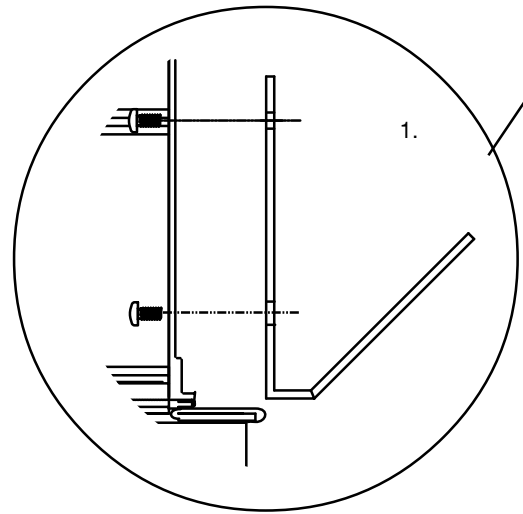


**Mirror Side Kit**

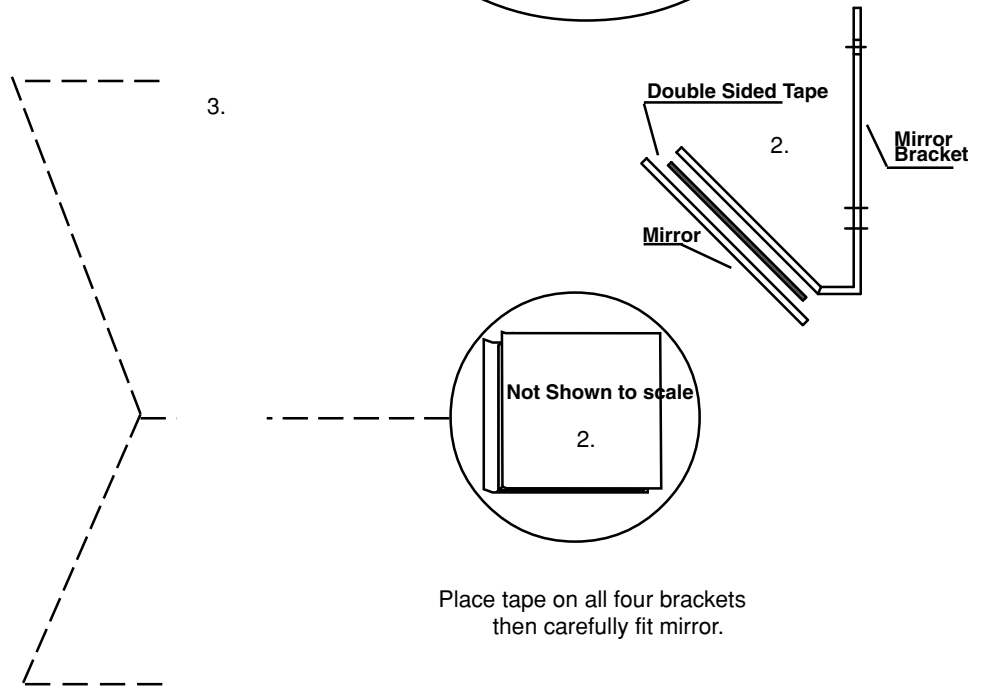
1. The four Cabinet brackets for supporting are easier to install before the C8 Corner Cabinet is fixed to wall. See page 3 for correct positioning of brackets.
2. Peel one side of double sided foam tape (SS162) and place one, on each bracket.
3. Peel remaining backing off tape, then carefully place mirror onto brackets lining up top and bottom and cabinet edge. Care is needed, as tape has a strong grip and repositioning is extremely difficult.



**Fig. L**



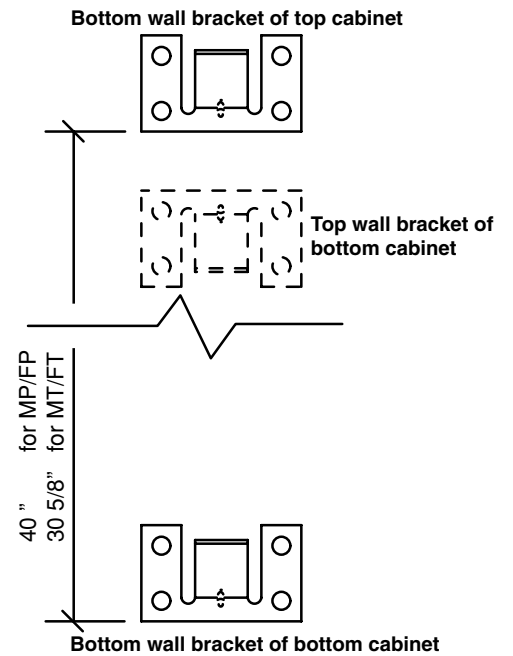
**Installer Note:**  
Install side mirrors after cabinet is mounted on wall.



**Fig. M**

## Stacking Instructions for C8 Corner Cabinet

1. The lower cabinet is installed first.
2. When the wall bracket for the bottom cabinet is attached to the wall, measure 40 1/4" from the bottom of the wall bracket, to the bottom of the wall bracket for the top cabinet.
3. Fix bottom wall brackets for both cabinets into place and install bottom Cabinet.
4. Install Stack filler as shown in Fig. O.
5. Install top cabinet last.



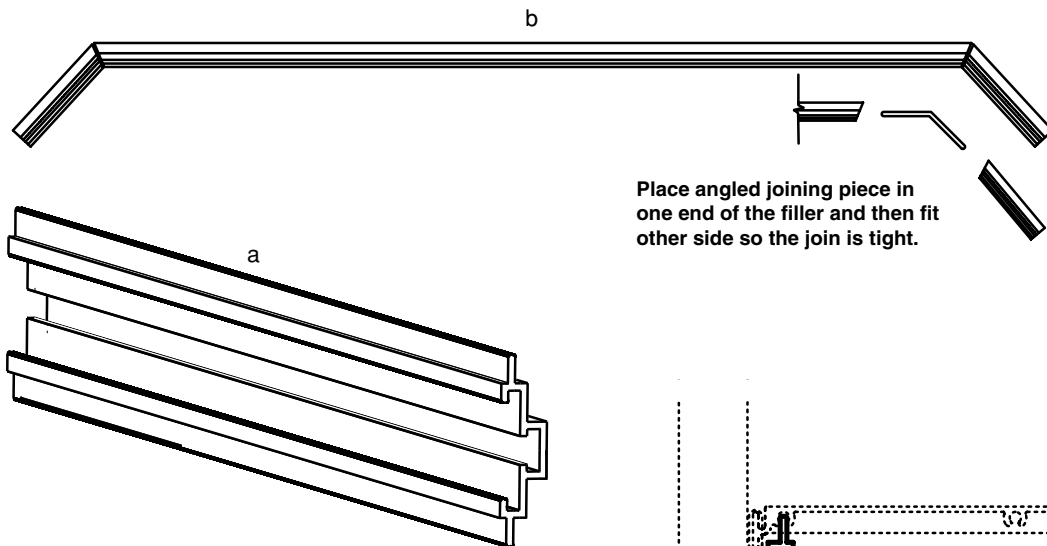
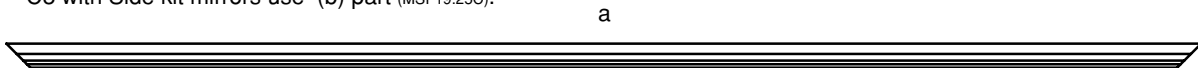
**Fig. N**

## MSF Stack Filler

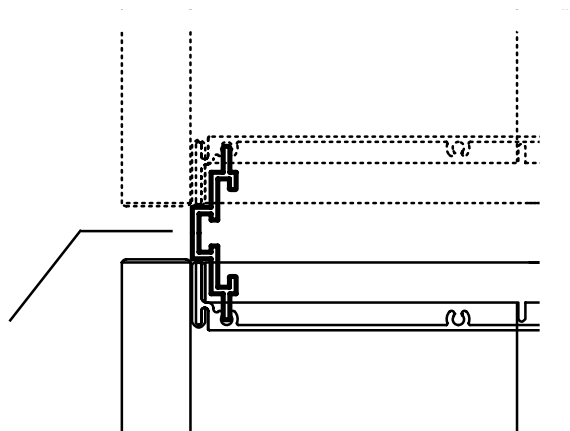
There are two types of Stack filler.

C8 with optional lights use (a) part (MSF26.25C).

C8 with Side kit mirrors use (b) part (MSF19.25C).



The filler sits in the groove just behind the door on the top and bottom of the cabinet as shown. Place Filler in bottom cabinet and place top cabinet into position.



**Fig. O**

## Bottom Board Placement

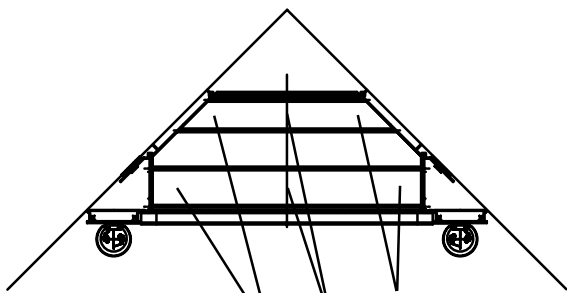
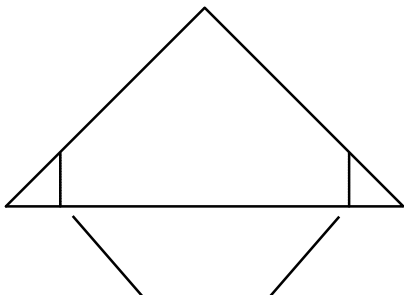


Fig. P



If Cabinet has side mirror kit, remove ends at score marks using utility knife.

1. Cut double sided spacing pad into two equal sized parts.
2. Place in as shown on under side of Cabinet.
3. Fit bottom board to finish installation.

### Installers Note

Only install bottom board after side kit mirrors are installed.

## Care and Maintenance • Checklist

### 1. Doors

- a. The doors are provided with a three way adjustment feature. Height, level and fit to frame gasket, can be adjusted. The use of a #2 posidrive screwdriver is recommended.

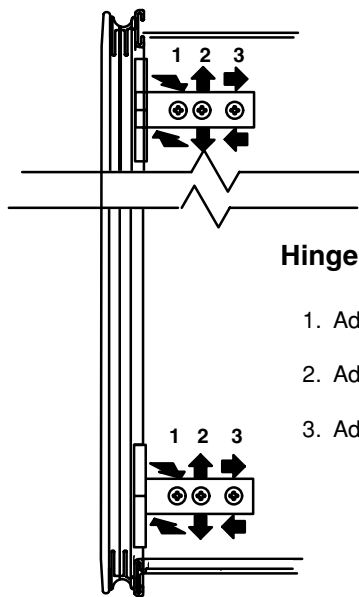
If door is out of level or too close to one side adjust door left or right with screw 1, shown this page.

If door is too high or low adjust door down or up with screw 2, shown this page.

If door squeaks, opens stiffly, or rubs against gasket, adjust door outwards with screw 3, shown this page.

### 2. Cleaning

- a. The cabinet door and interior are constructed of mirror and anodized aluminum. Use only a damp cloth to clean. Mirrors are damaged by the use of ammonia or vinegar based cleaning agents. For stubborn marks, use rubbing alcohol.
- b. Use no abrasive cleansers on any part of the cabinet.



### Hinge Adjustments

1. Adjust left or right.
2. Adjust up or down.
3. Adjust away or towards.

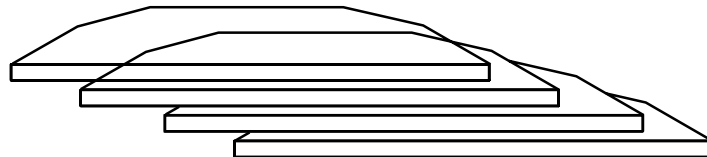
Fig. Q

# Parts List for C8 Corner Cabinet

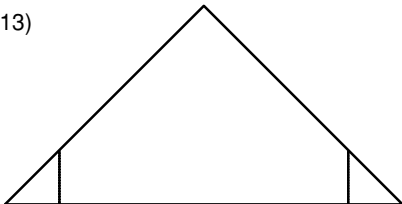
1. C8 Corner Cabinet • Refer to Model Number Designations on page one to determine if the Cabinet is as ordered.

2. Glass Shelves

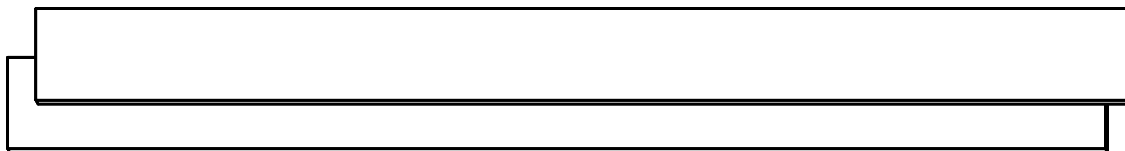
4 Shelves are provided with each MP/FP Cabinet (GSCORN4).  
 3 Shelves are provided with each MT/FT Cabinet (GSCORN3).



3. Bottom Board (GV2613)



4. 2 Side Mirrors. (MP/FP • 39 3/8 by 2 1/2 (21HX393E) - MT/FT • 30 by 2 1/2 (21HX30)).



5. Hardware Bag • Contents

A. 12 Plastic Anchors (SS680)



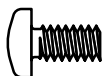
B. 78 Shelf Hole Plugs (SS134)



C. 12 Grey dome Caps (SS134)



D. 13 #10 x 3/8" self threading machine screws (SS276)

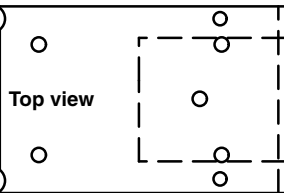
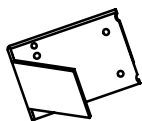


E. 8 #10 x 2" wood screws (SS674)

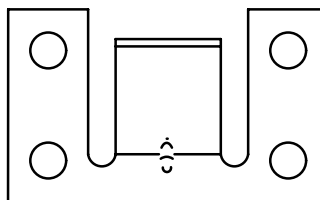


F. 8 Cabinet brackets (SS716)

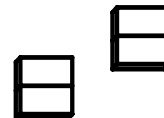
Isometric view



G. 4 Wall Brackets (SS715)



I. 3 Double sided pads for Bottom Board (SS162)



H. Clear Shelf Clips (SS131)  
 24 Clips for MP model  
 18 Clips for MT model  
 (See below for shelf fitting instructions)

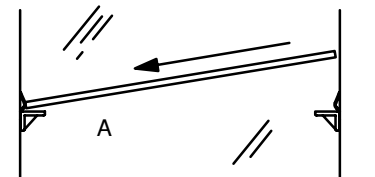


J. 4 Double sided pads for side Kit Mirrors (SS144)

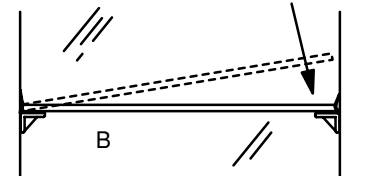
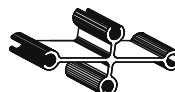


A. Push one side of shelf into either the left or right clips.

B. Snap the shelf down into opposite side.



K. 4 Cross brackets for mounting side lights (R0600100M)



Limited Warranty  
 One Year Term

ROBERN warrants to the original purchaser that, it will, at its election repair, replace, or make appropriate adjustment to products made by this company shown to have significant defects in material or workmanship which are reported to ROBERN in writing within one (1) year from the date of delivery. ROBERN is not responsible for installation costs.

The warranty is void in the event the product is damaged in transit, or if damage or failure is caused by abuse, misuse, abnormal usage, faulty installation, damage in an accident, improper maintenance, or any repairs other than those authorized by ROBERN. At the expiration of the one year warranty period, ROBERN shall be under no further obligation under any warranty, expressed or implied, including the implied warranty of merchantability.

ROBERN shall not be liable for any consequential damages arising out of or in connection with the use or performance of its products. Some states do not allow limitations on how long an implied warranty lasts or do not allow the exclusion or limitation of incidental or consequential damages, so the above limitation or exclusion may not apply to you.

Any liability against ROBERN under any implied warranty, including the warranty of merchantability, is expressly limited to the terms of this warranty. Permission to return any merchandise under this warranty must be authorized by ROBERN and returned prepaid by the purchaser. Claims under this warranty should be sent directly to your dealer.

THE FOLLOWING PATENTS APPLY TO THIS PRODUCT:  
 U.S. PAT. NO. 5,164,861  
 U.S. PAT. NO. 5,350,227  
 U.S. PAT. NO. 5,355,627

©1998 ROBERN, INC.  
 ALL RIGHTS RESERVED

REV. 1 9/98