

INSTRUCTION SUPPLEMENT FOR D6SR & D8SR SERIES M SIDE KITS

FOLLOW THE INSTRUCTIONS IN THE RECESS INSTALLATION SECTION FOR MP & MT CABINETS AND FOLLOW THESE IMPORTANT STEPS:

D8SR SERIES M SIDE KITS

THE D8SR SIDE KIT IS USED WITH THE D8 CABINET OPTION WHEN THE CABINET IS PARTIALLY RECESSED INTO A 4" DEEP (2 X 4 WALL) CAVITY.

1. YOU MUST ALLOW 4" FROM THE FINISHED WALL SURFACE TO THE BACK OF THE GASKETED LIP OR LIGHT FIXTURE AS SHOWN IN FIGURES A & B. TEST FIT BEFORE FINAL COMPLETION OF INSTALLATION. ALL HARDWARE FOR THE SIDE KIT IS INCLUDED WITH THE CABINET AND LIGHT FIXTURE.

D6SR SERIES M SIDE KITS

THE D6SR SIDE KIT IS USED WITH THE D6 CABINET OPTION WHEN THE CABINET IS PARTIALLY RECESSED INTO A 4" DEEP (2 X 4 WALL) CAVITY. (OR D8 CAB. IN A 6" DEEP WALL.)

1. YOU MUST ALLOW 2" FROM THE FINISHED WALL SURFACE TO THE BACK OF THE GASKETED LIP OR LIGHT FIXTURE AS SHOWN IN FIGURES A & B. TEST FIT BEFORE FINAL COMPLETION OF INSTALLATION. ALL HARDWARE FOR THE SIDE KIT IS INCLUDED WITH THE CABINET AND LIGHT FIXTURE.

FIG. A

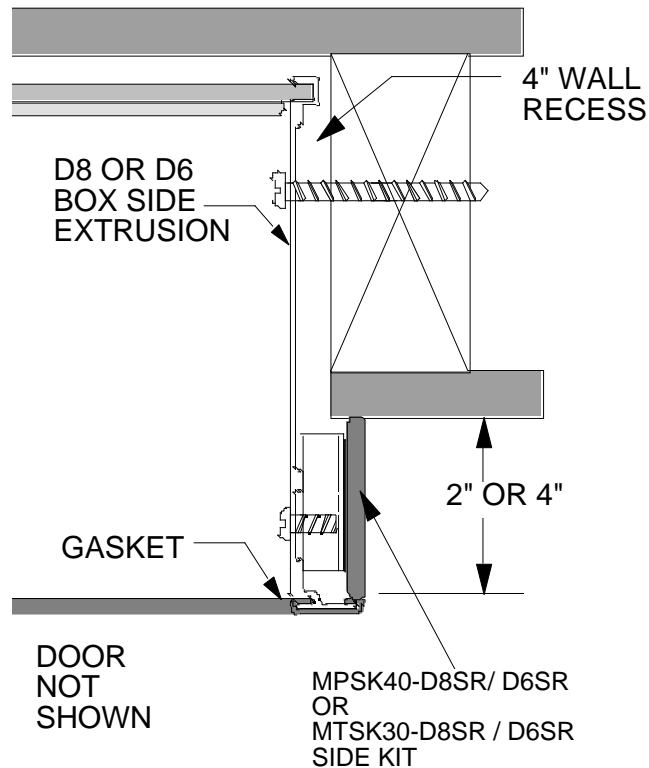
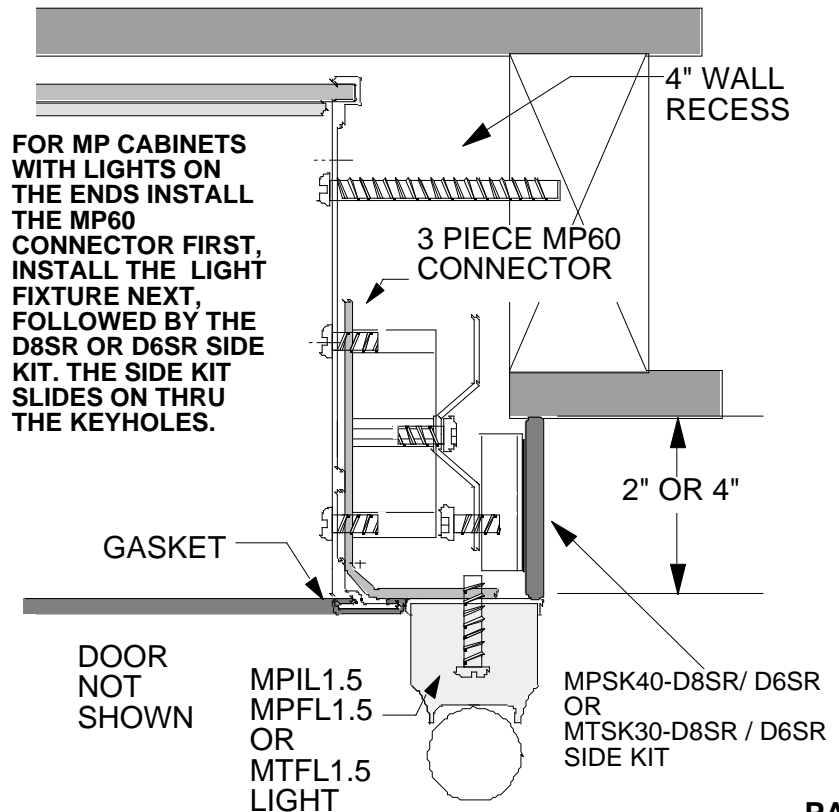


FIG. B



INSTRUCTION SUPPLEMENT FOR D8SR & D6SR SERIES M SIDE KITS - RECESSING 2"

FOLLOW THE INSTRUCTIONS IN THE RECESS INSTALLATION SECTION FOR MP & MT CABINETS AND PAGE 1 OF THIS FORM. PLEASE READ THIS SECTION IF YOU ARE ATTEMPTING TO RECESS THE CABINET ONLY 2' INTO A WALL:

THE D8SR & D6SR SIDE KIT ARE USED WHEN THE CABINET IS PARTIALLY RECESSED INTO A 4" DEEP (2 X 4 WALL) CAVITY.

1. THE MOUNTING LOCATION IN THE CABINET FOR THE SCREW USED TO ATTACH TO THE ROUGH OPENING FRAMING WILL NOT BE SECURE WHEN THE WALL SURFACE IS DRYWALL OR TILE. AS YOU CAN SEE IN FIG. C THE MOUNTING SCREW WILL HIT BETWEEN THE DRYWALL (OR TILE) AND THE STUD. THE CABINET WILL NOT BE SECURE AND WILL FALL OUT OF THE WALL.

2. THE SOLUTION TO MOUNT THE CABINET IN THIS MANNER IS TO PROVIDE A SOLID WOOD BASE FOR THE SCREW. THE WOOD MUST EXTEND FLUSH WITH THE WALL SURFACE AS SHOWN IN FIG. D.

3. AN ALTERNATIVE SOLUTION IS TO DRILL A NEW HOLE 13/64" DIA. 1/2" BACK (TOWARDS THE REAR OF THE CABINET). A HOLE PLUG CAN BE USED TO FILL THE UNUSED MOUNTING LOCATION. FIG. E.

SCREWDRIVER ACCESS WILL BE LIMITED AND EXTREME CAUTION MUST BE USED TO AVOID BREAKING THE BACK MIRROR.

