

MÉTALLIQUE 30" HIGH CABINET

General Notes

- Unpack the cabinet. Check the box thoroughly for all hardware and loose parts as follows:
A. Cabinet B. Hardware Bag C. Shelving
D. "Z" Bracket E. SOMM Magnifying Mirror
- Remove the doors from the cabinet and store the doors in the cabinet box. Be sure edges of the doors are protected. Removing the doors allow for easy and fast installation of the cabinet system.
- A square and plumb installation insures proper door operation. A square and level are necessary for proper installation.
- Improper installation voids the warranty. Installed cabinets cannot be returned.
- If you experience any problems with your Métallique cabinet contact your dealer or Robern directly.
Robern • 701 N Wilson Ave • Bristol, PA 19007
800 877 2376 • FAX 215 826 9633

Limited Warranty One Year Term

ROBERN warrants to the original purchaser that, it will, at its election repair, replace, or make appropriate adjustment to products made by this company shown to have significant defects in material or workmanship which are reported to ROBERN in writing within one (1) year from the date of delivery. ROBERN is not responsible for installation costs.

The warranty is void in the event the product is damaged in transit, or if damage or failure is caused by abuse, misuse, abnormal usage, faulty installation, damage in an accident, improper maintenance, or any repairs other than those authorized by ROBERN. At the expiration of the one year warranty period, ROBERN shall be under no further obligation under any warranty, expressed or implied, including the implied warranty of merchantability.

ROBERN shall not be liable for any consequential damages arising out of or in connection with the use or performance of its products. Some states do not allow limitations on how long an implied warranty lasts or do not allow the exclusion or limitation of incidental or consequential damages, so the above limitation or exclusion may not apply to you.

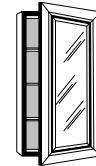
Any liability against ROBERN under any implied warranty, including the warranty of merchantability, is expressly limited to the terms of this warranty. Permission to return any merchandise under this warranty must be authorized by ROBERN and returned prepaid by the purchaser. Claims under this warranty should be sent directly to your dealer.

MT System is patented.
PAT NO. 5,355,627

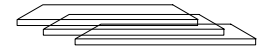
©2003 Robern
All rights reserved. REV.3 3/03

Part List – Métallique Cabinet

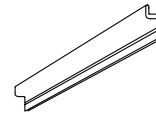
- MT20D4 Cabinet or MT24D4 Cabinet



- Glass Shelves
– 3 Shelves are provided with each cabinet



- "Z" Mounting Brackets
– Bracket used for surface mounted cabinets.



- Hardware Bag • Contains the Following

- 12 Clear Snap-In Shelf Clips



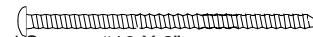
- 46 Shelf Hole Plugs



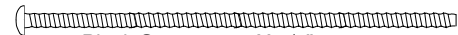
- 6 SMS/WOOD Screws #10 X 2"



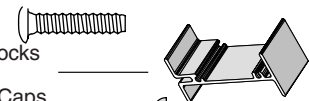
- 5 SMS/Wood Screws #10 X 3"



- 8 Connector Block Screws #10 X 1/2"



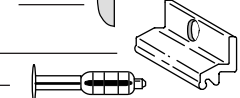
- 2 MP65 Connector Blocks



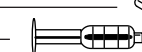
- 15 Grey Screw Head Caps



- 3 Top Mount "Z" Clip



- 6 Plastic Anchors



1. Dimensions of Cabinets

- The MT-30 Series is a modular system allowing you to install cabinets in different combinations. Overall size of the cabinet is determined by the overall dimensions of the assembled units.

Model No.	Overall
MT20D4MD	19 1/4" X 30"
MT24D4MD	23 1/4" x 30"

2. Selecting Location • Surface or Recess

Carefully select the cabinet location, keeping in mind the following:

- Clearance from the faucet must be determined.
- When recessing be sure clearance is provided above the rough opening for the top of the door.
- Depth of recess must be 4".

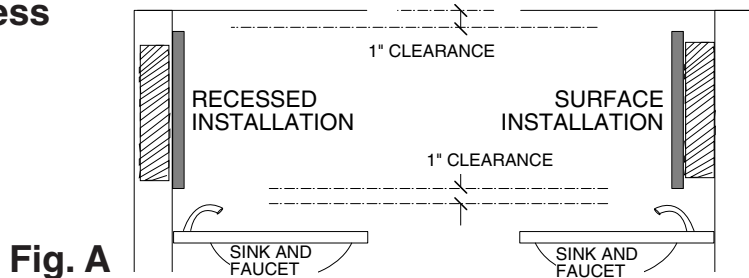


Fig. A

3. Surface Mount Cabinet (See page 3 for Recessed Instructions.)

- Each cabinet is shipped with an aluminum "Z" mounting bar.
- It is strongly recommended that a support similar to that used for a wall mounted sink be framed in the wall during construction as shown in figure B.
- Drill a 7/32" hole through the indent line on the mounting bracket (See figure B.) at the stud or furring strip location. Use the plastic anchors supplied if no furring strip has been installed, making sure each cabinet is supported by at least three anchors.

Follow the Poly-set Anchor instructions on this page for anchors supplied. Be sure mounting bar is level.

- Three "Z" clips are supplied for the top of each cabinet. These clips slide into the screw channel on the top of the cabinet. Holes for the clips can be pre-drilled per dimensions shown in figure C.
- The MTSK30 side kit is used to finish the sides of the surface mount installation.

- Attach bracket to cabinet using #10 X 1/2" Screws. Be sure you do not over tighten. (See figure D.)
- Cap screw heads with covers provided.

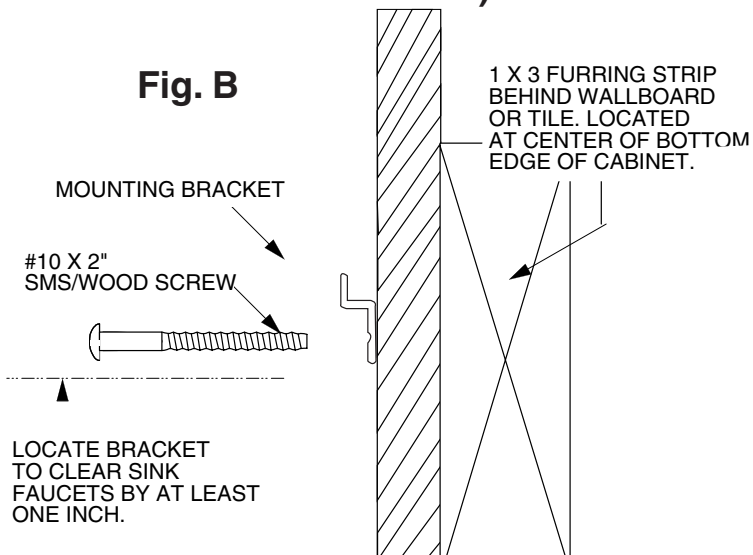


Fig. B

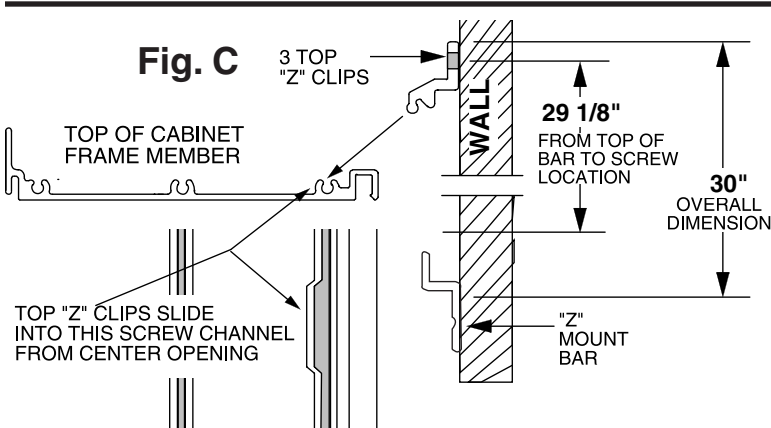
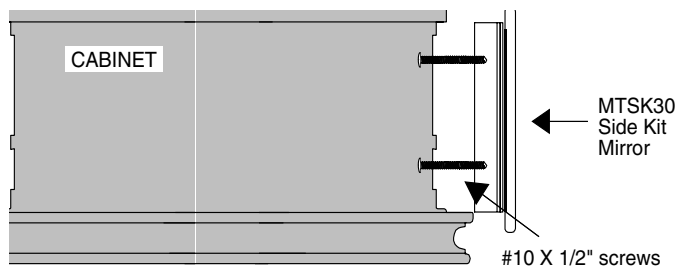


Fig. C

Fig. D

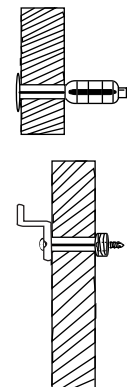


Poly-set Anchor Instructions for Hollow Walls

- Drill 9/32" hole and insert anchor until flange is flush.
- Insert #10 X 2" SMS/wood screw through bracket and anchor. Continue to turn screw to fully expand the anchor according to the chart below.

Total Wall Thickness **Turns after screw head is against bracket**

1/2"	8-9 Turns
5/8"	6-7 Turns
3/4"	4-5 Turns



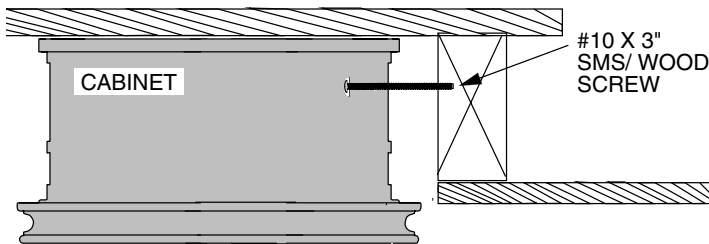
4. Recess Cabinet

1. The rough opening must be at least 4" deep cabinets when fully recessed and must be framed on all 4 sides important!
2. The chart shown below is the overall size and rough openings for recessed installations.

Model No.	Overall	Wall Opening
MT20D4MD	19 1/4" X 30"	18 1/2" x 29 1/4"
MT24D4MD	23 1/4" x 30"	22 1/2" x 29 1/4"

3. Place the single or connected boxes into the rough opening. Be sure the bottom is level. Install a #10 X 3" pan head screw through the top hole shown in figure J on page 4.
4. Be sure cabinet is square. Install bottom screws. Do not over tighten screws.
5. Place grey caps over screw heads.
6. Install doors following the instructions supplied with the hinge and shown in figure J on page 4.
7. Open and close doors to check operation. On installation of the cabinets in combinations of three or more the center door when open may cause the cabinet to bow from the wall. If this occurs install a #10 X 2" Or 3" SMS/Wood screw and cap through a hole drilled at the location shown in figure F.

Fig. E



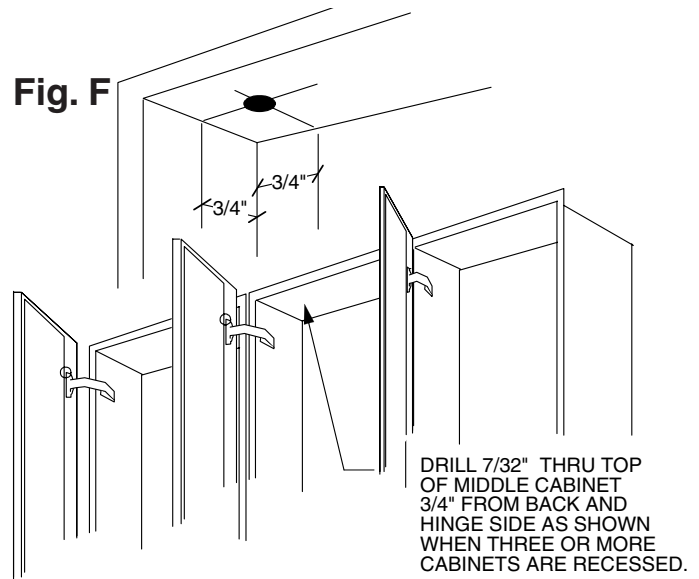
5. Assembly of Ganged Cabinets

1. Each cabinet and side kit contains special connectors to allow combinations of cabinets. Both surface mounted using the SK Side Kits as well as recessed into the wall. (See figure H.)
2. With the doors off, combine the boxes with the proper connectors to assemble the units per your layout. Use the #10 X 1/2" thread cut screws. (See figure H and I.)

Assemble on a convenient flat surface. Not on or in wall.

Do not attach lights, doors or side kits until boxes are secured to wall.

Note location of holes in the cabinets which are used to secure connectors and side kits in figure J on page 4.



Shelf Installation

Fig. G

Snap-in Shelf Clips

A. Push one side of the shelf into the left or right clips.

B. Snap the shelf down into the opposite side. If the shelf is too tight, repeat the process from the other side.

Fig. H

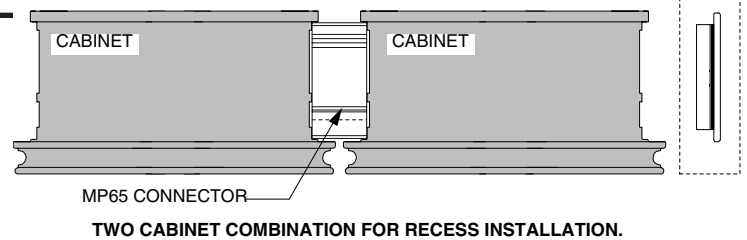


Fig. I

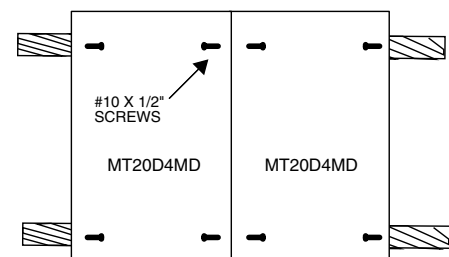
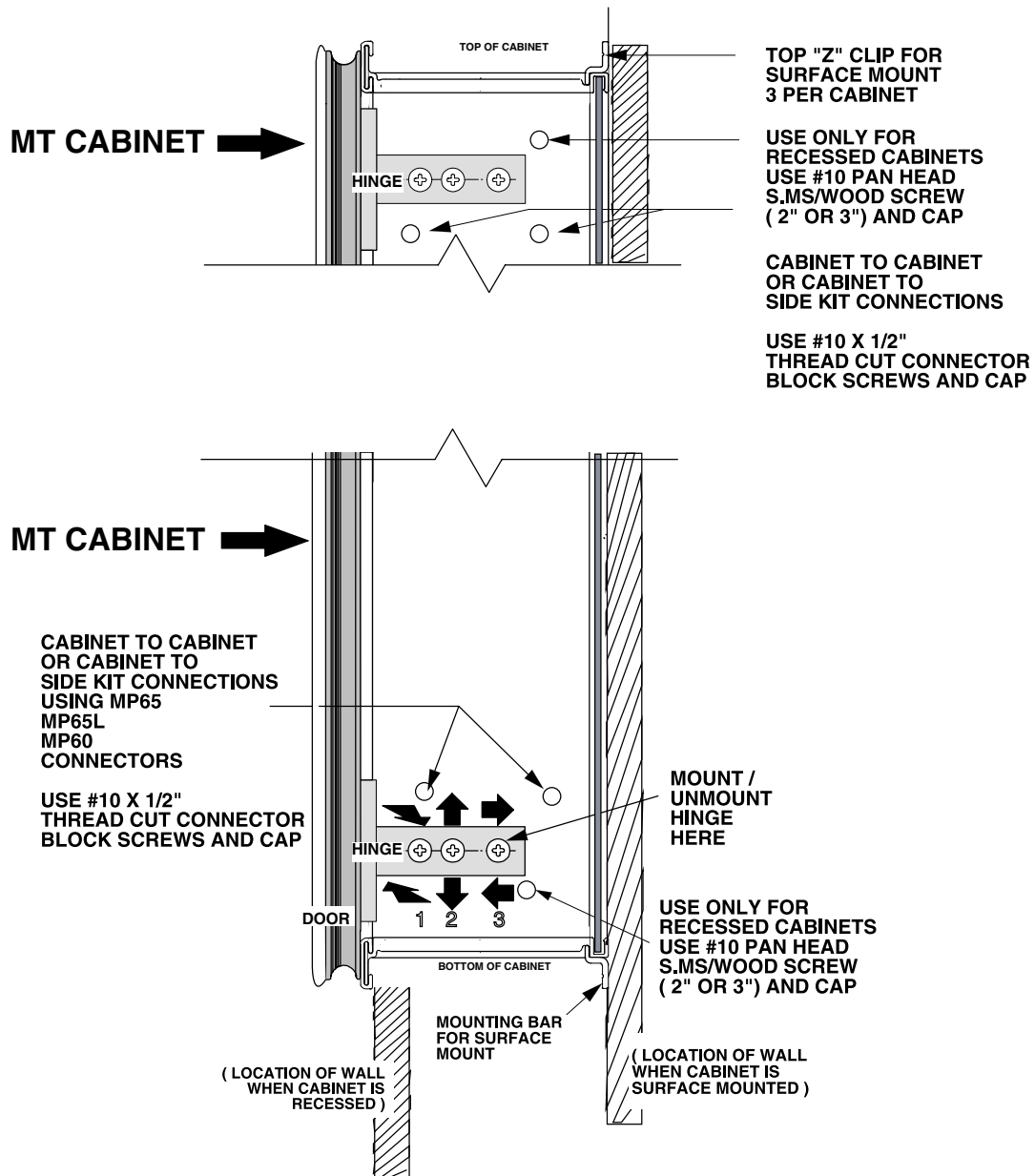


Fig. J



Checklist • Care & Maintenance

1. Doors

A. The doors are provided with a three way adjustment feature. Height, level, and fit to frame gasket can be adjusted. The use of a #2 Posidrive screwdriver is recommended.

If the door is out of level or too close to one side, adjust door left and right with screw 1 shown on page 3, figure E.

If door is too high or low, adjust door down or up with screw 2 shown on page 3, figure E.

If door opens stiffly, squeaks, or rubs against gasket, adjust door outwards with screw 3 shown on page 3, figure E.

B. Check the swing of the door. The hinges are provided with a 110° black plastic stop so that they will not swing and hit frame.

2. Cleaning

A. The cabinet door and interior are constructed of mirror and anodized aluminum. Use only a damp cloth to clean. Mirrors are damaged by the use of ammonia or vinegar based cleaning agents. Use rubbing alcohol for stubborn marks.

B. Use no abrasive cleansers on any part of the cabinet.

C. To clean metal door frame, use only a damp cloth.